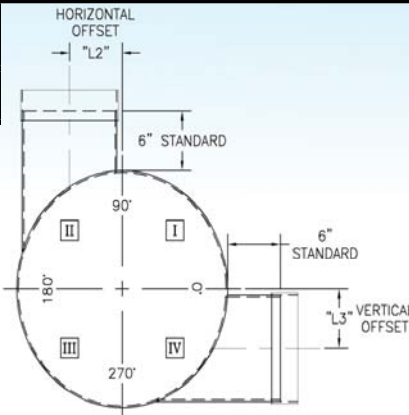


# CORROSION RESISTANT DUCT & FITTINGS

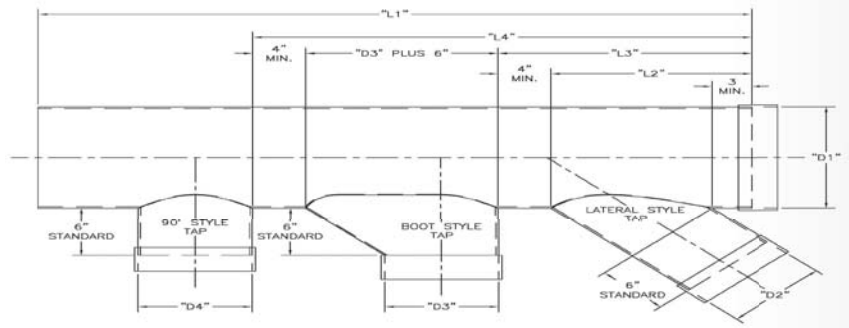
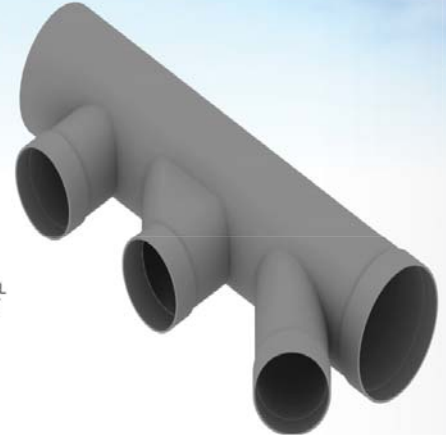


## STRAIGHT DUCT WITH MULTIPLE TAPS

DUCT DIAMETER	WALL THICKNESS		TAP DIAMETER
	EXTRUDED	ROLLED	
"D1"			"D2", "D3", "D4"
4	0.250"		4" AND BELOW
6	0.188"		6" AND BELOW
8	0.188"		8" AND BELOW
10	0.188"		10" ANF BELOW
12	0.188"	0.125"	12" AND BELOW
14	0.188"	0.125"	14" AND BELOW
16	0.188"	0.125"	16" AND BELOW
18	0.188"	0.125"	18" AND BELOW
20		0.125"	20" AND BELOW
22		0.125"	22" AND BELOW
24		0.125"	24" AND BELOW
26		0.125"	26" AND BELOW
28		0.188"	28" AND BELOW
30		0.188"	30" AND BELOW
32		0.188"	32" AND BELOW
34		0.188"	34" AND BELOW
36		0.188"	36" AND BELOW
38		0.188"	38" AND BELOW
40		0.188"	40" AND BELOW
42		0.188"	42" AND BELOW
44		0.188"	44" AND BELOW
46		0.188"	46" AND BELOW
48		0.188"	48" AND BELOW
50		0.188"	50" AND BELOW
52		0.188"	52" AND BELOW
54		0.188"	54" AND BELOW
56		0.188"	56" AND BELOW
58		0.250"	58" AND BELOW
60		0.250"	60" AND BELOW
62		0.250"	62" AND BELOW
64		0.250"	64" AND BELOW
66		0.250"	66" AND BELOW
68		0.250"	68" AND BELOW
70		0.250"	70" AND BELOW
72		0.250"	72" AND BELOW
74		0.250"	74" AND BELOW
76		0.250"	76" AND BELOW
78		0.250"	78" AND BELOW
80		0.250"	80" AND BELOW



"D1" OFFSET TAP VIEW



### STANDARD DUCT LENGTHS

"D1" DIAMETER	"L1" AVAILABLE LENGTHS
4"-18"	2' THROUGH 20'
20" - 80"	2' THROUGH 12'

**AVAILABLE MATERIALS OF CONSTRUCTION: TYPE II PVC, POLYPROPYLENE, CPVC, DUAL LAMINATE, FRP, AND PVDF**

### NOTES:

- STANDARD COLLAR CONNECTIONS SHOWN / FLANGED CONNECTIONS ARE AVAILABLE UPON REQUEST
- CUSTOM DIAMETERS AND LENGTHS ARE AVAILABLE UPON REQUEST
- FIRESIST™ FM APPROVED DUCT AVAILABLE UPON REQUEST



Corporate Headquarters:  
144 Industrial Drive  
Forest City, NC 28043

Mailing Address:  
P.O. Box 1287  
Forest City, NC 28043

Phone: (828) 245-9836  
Fax: (828) 245-1437  
www.KCHSERVICES.com