

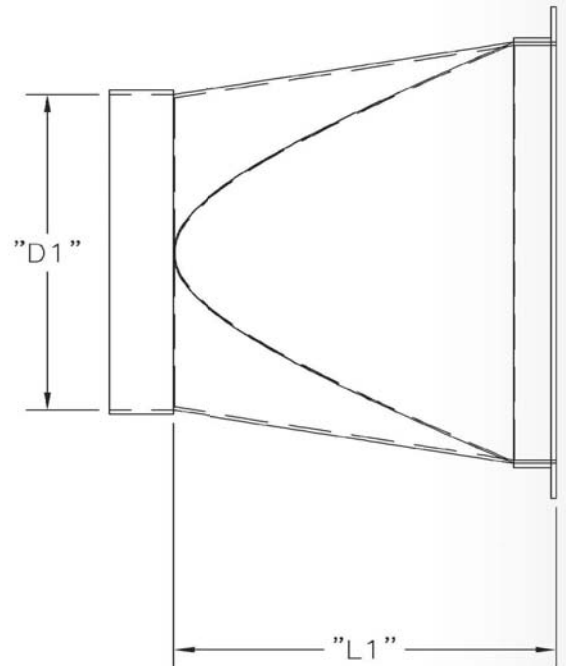
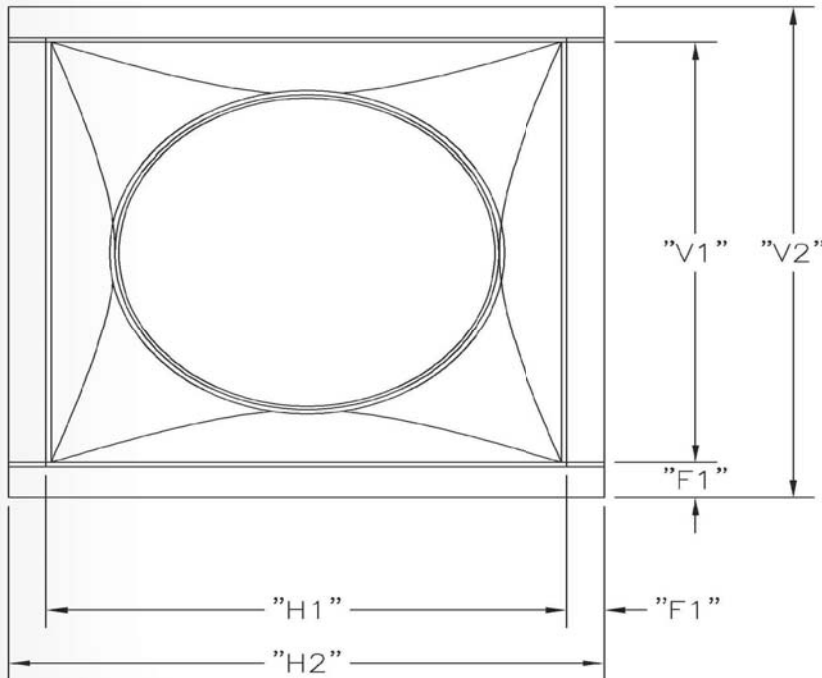
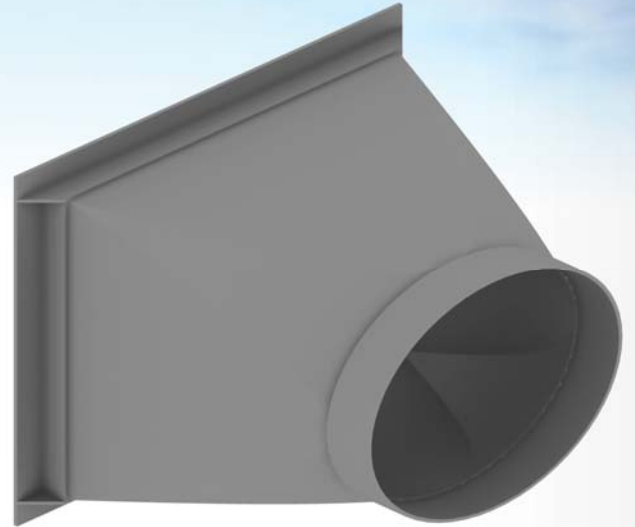


CONCENTRIC ROUND TO RECTANGULAR TRANSITION

AVAILABLE MATERIALS OF CONSTRUCTION: TYPE II PVC, POLYPROPYLENE, CPVC, DUAL LAMINATE, FRP, AND PVDF

NOTES:

- 1. STANDARD COLLAR CONNECTIONS SHOWN / FLANGED CONNECTIONS ARE AVAILABLE UPON REQUEST
- 2. CUSTOM DIAMETERS AND LENGTHS ARE AVAILABLE UPON REQUEST
- 3. FIRESIST™ FM APPROVED FITTINGS ARE AVAILABLE UPON REQUEST



Corporate Headquarters:
144 Industrial Drive
Forest City, NC 28043

Mailing Address:
P.O. Box 1287
Forest City, NC 28043

Phone: (828) 245-9836
Fax: (828) 245-1437
www.KCHSERVICES.com