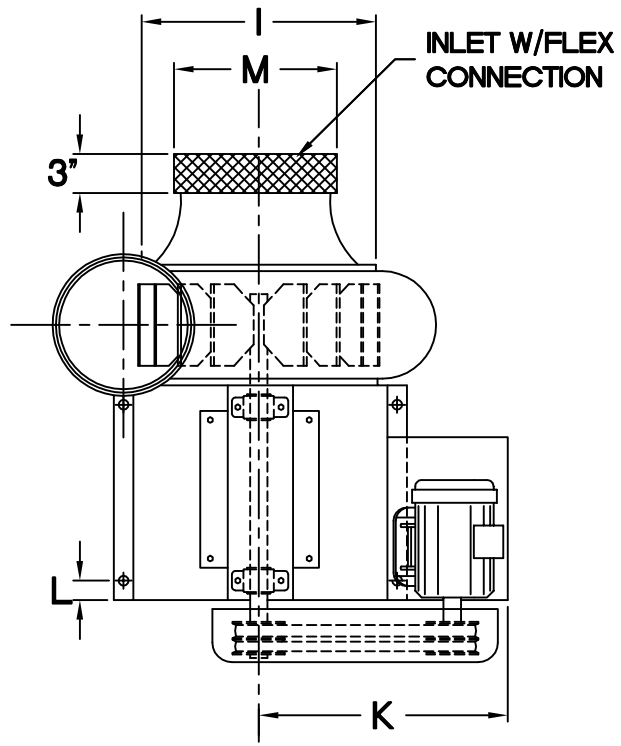


CENTRIFUGAL CI BLOWER NO.

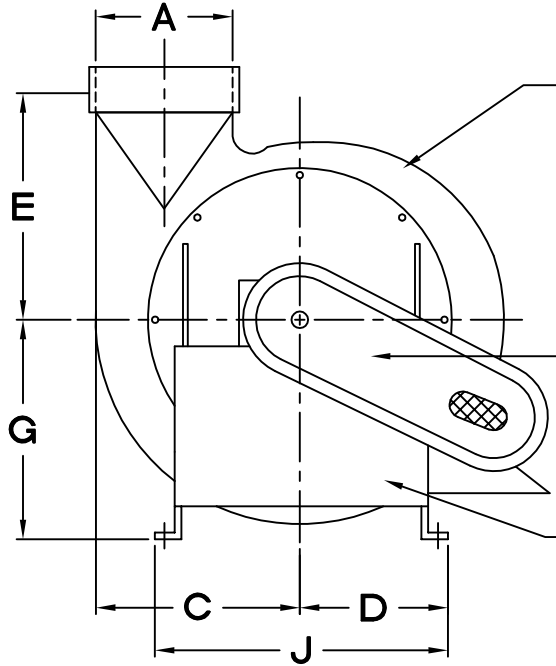


Forest City, N.C.



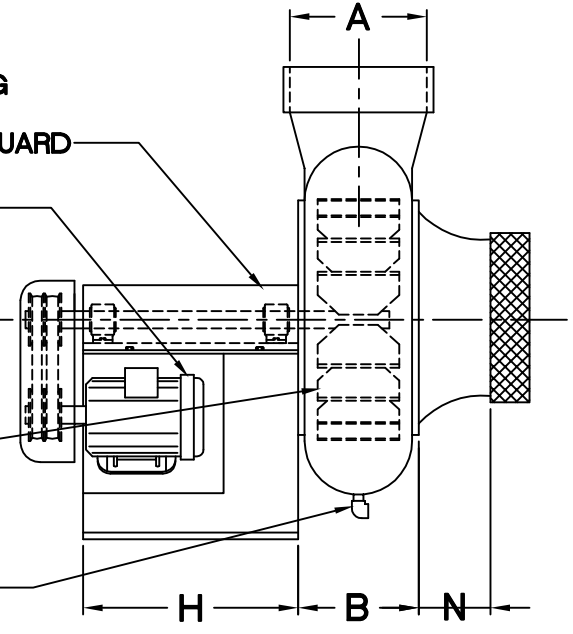
TOP VIEW

USER:	
PURCHASER:	
DATE:	JOB NUMBER:
<input type="checkbox"/> PROVIDING PUSH AIR	<input type="checkbox"/> PROVIDING EXHAUST
C.F.M.:	VENTING:
STATIC PRESSURE:	MAT. TYPE:
CLASS:	ARRANGMENT:
ROTATION:	DISCHARGE:
BHP:	FAN RPM:
MOTOR H.P.:	MOTOR RPM:
VOLTAGE:	
DRIVR SHV:	DRIVN SHV:
DRIVR BUSHNG:	DRIVN BUSHNG:
BELTS:	BEARINGS:
NOTE:	



END VIEW

- FORMED P.V.C. HOUSING
- BEARING AND SHAFT GUARD
- T.E.F.C. FAN MOTOR
- FORMED BELT GUARD
- PADDLE TYPE STEEL WHEEL FRP COATED
- STEEL FAN FRAME
- 1" DRAIN COUPLING



SIDE VIEW

SCHEDULE

ALL DIMENSIONS IN INCHES

FAN NO.	A _{LD}	B _{OD}	C	D	E	G	H	I	J	K	L	M _{LD}	N	WEIGHT (LESS MOTOR)
CI- 6	6.625	5.00	9.750	8.938	10.500	11.0	14.5	11.0	15.0	14.500	1.00	6.625	4.00	13 0
CI- 8	8.625	7.00	13.125	10.938	14.250	14.0	16.0	14.5	17.0	16.250	1.25	8.625	5.00	17 0
CI- 10	10.750	8.25	16.000	13.625	17.250	17.0	17.0	18.0	20.5	18.750	2.00	10.750	6.00	21 0