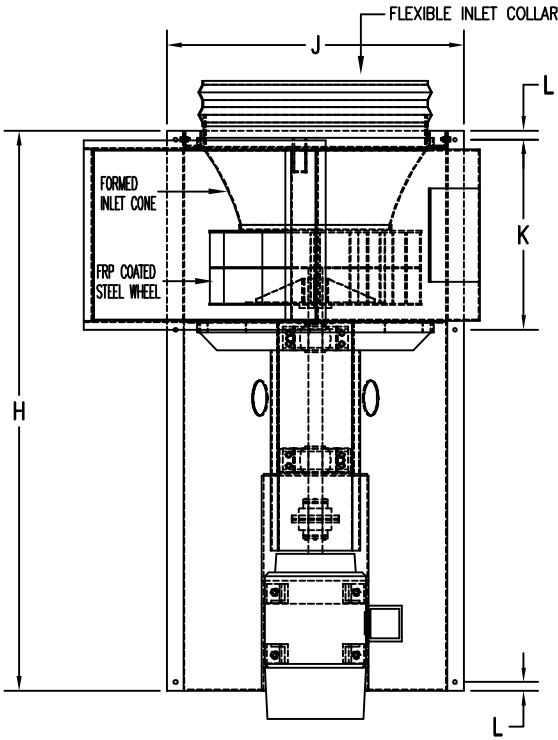


CENTRIFUGAL NH FAN NO.

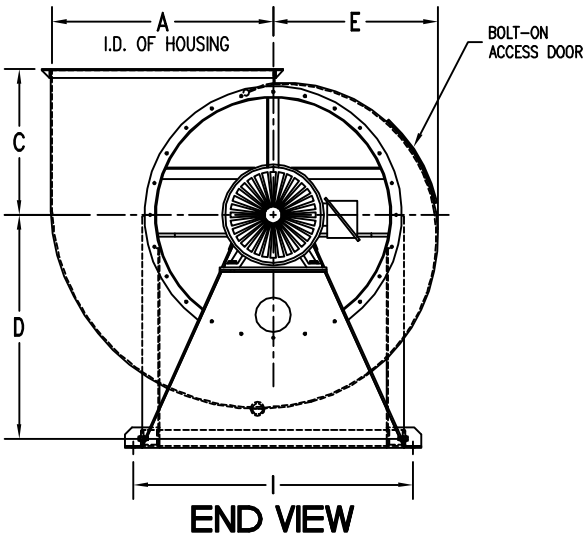


FOR DIRECT DRIVE ARR. 4

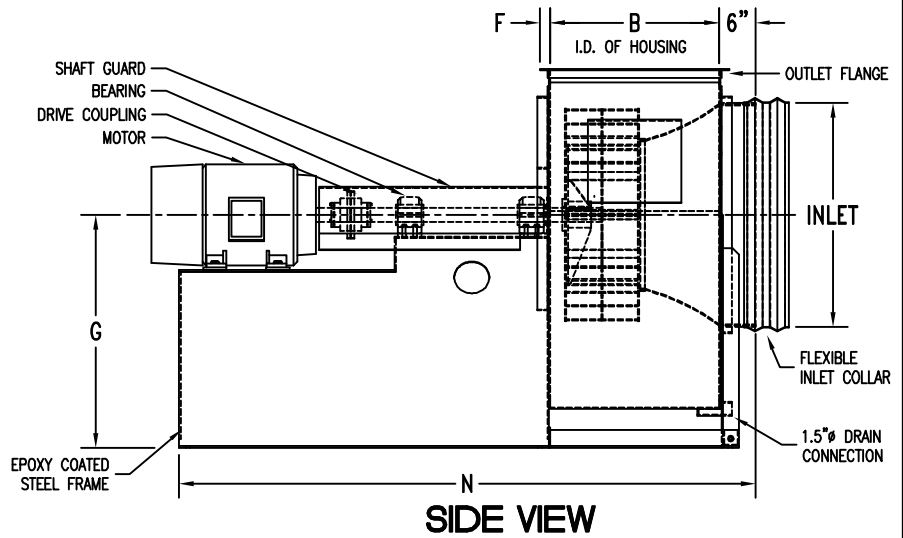


TOP VIEW

USER:	
PURCHASER:	
DATE:	JOB NUMBER:
C.F.M.:	VENTING:
STATIC PRESSURE:	MAT. TYPE:
CLASS:	ARRANGMENT: 4 DIRECT DRIVE
ROTATION:	DISCHARGE:
BHP:	FAN RPM:
MOTOR H.P.:	MOTOR RPM:
VOLTAGE:	SHAFT DIAMETER:
COUPLING:	BEARINGS:
NOTES:	



END VIEW



SIDE VIEW

NH SERIES DIRECT DRIVE EXHAUST FANS 1-25 HORSEPOWER

FAN NO.	A	B	C	D	E	F	G	H = BASED ON MOTOR HORSEPOWER			I	J	K	L	N = BASED ON MOTOR HORSEPOWER			INLET	BOLT HOLES	SHAFT DIA.	KEYWAY IN SHAFT
								1-3	5-15	20-25					1-3	5-15	20-25				
12.25	12.750	9.750	10.375	11.297	9.750	1.500	14.500	42.188	49.188	N/A	19.250	21.250	12.188	1.000	46.188	53.188	N/A	13.250	.500	1.188	0.250 x 0.125
13.5	14.000	10.750	11.063	12.359	10.625	1.500	16.000	43.313	50.313	N/A	20.250	22.250	13.313	1.000	47.313	54.313	N/A	14.625	.500	1.188	0.250 x 0.125
15	15.625	11.750	11.875	13.703	11.688	1.500	17.500	50.313	57.313	60.313	22.000	24.000	14.313	1.000	54.313	61.313	64.313	16.250	.500	1.438	0.375 x 0.188
16.5	17.125	13.125	12.500	14.969	12.625	1.500	19.500	53.688	60.688	63.688	23.375	25.375	15.688	1.000	57.688	64.688	67.688	17.875	.500	1.438	0.375 x 0.188
18.25	19.000	14.500	13.687	16.609	14.031	1.500	20.500	55.063	62.063	65.063	25.000	27.000	17.063	1.000	59.063	66.063	69.063	19.750	.500	1.438	0.375 x 0.188
20	20.875	15.875	14.813	18.188	15.375	1.500	23.500	56.938	63.938	66.938	27.500	30.000	18.938	1.250	59.938	66.938	69.938	21.625	.500	1.688	0.375 x 0.188
22.25	23.250	17.625	16.188	20.234	17.094	1.500	25.000	60.750	67.750	70.750	31.000	33.500	20.813	1.250	64.250	71.250	74.250	24.125	.500	1.688	0.375 x 0.188
24.5	25.500	19.500	17.563	22.281	18.813	1.500	27.000	62.563	69.563	73.563	33.125	35.625	22.563	1.250	66.063	73.063	77.063	26.500	.625	1.938	0.500 x 0.250
27	28.125	21.500	19.500	24.594	20.750	1.500	30.000	64.563	71.563	74.563	36.250	38.750	24.563	1.250	68.063	75.063	78.063	29.250	.625	1.938	0.500 x 0.250
30	31.250	23.750	21.000	27.594	23.031	1.500	33.000	66.938	73.938	76.938	40.000	42.500	26.938	1.250	70.438	77.438	80.438	32.500	.625	2.438	0.625 x 0.313
33	34.375	26.250	22.813	30.000	25.313	1.500	36.000	69.938	76.938	79.938	44.000	47.000	29.938	1.500	72.938	79.938	82.938	35.625	.625	2.438	0.625 x 0.313
36.5	38.000	29.000	25.063	33.156	28.000	1.500	40.000	74.688	81.688	84.688	48.000	51.000	32.688	1.500	77.688	84.688	87.688	38.500	.625	2.438	0.625 x 0.313
40.25	42.000	32.000	27.938	36.594	30.875	2.000	43.750	77.750	84.750	87.750	53.000	56.000	35.750	1.500	80.750	87.750	90.750	42.500	.875	2.938	0.750 x 0.375
44.5	46.500	35.375	30.688	40.484	34.156	2.000	44.750	81.125	88.125	91.125	58.000	61.000	39.125	1.500	84.125	91.125	94.125	47.000	.875	2.938	0.750 x 0.375
49	51.125	39.000	34.000	44.563	37.625	2.000	48.000	90.750	97.750	100.750	64.000	67.000	41.750	1.500	93.750	100.750	103.750	51.625	.875	3.438	0.875 x 0.438
54.25	56.500	43.125	37.188	49.313	41.625	2.000	52.000	94.875	101.875	104.875	69.000	72.000	46.875	1.500	97.875	104.875	107.875	57.250	.875	3.438	0.875 x 0.438
60	62.500	47.750	41.188	54.594	46.063	2.000	57.750	99.500	106.500	109.500	75.000	78.000	51.500	1.500	102.500	109.500	112.500	63.250	1.000	3.938	1.000 x 0.500