



IN-LINE SERIES NO.:

HORIZONTAL MIST ELIMINATOR

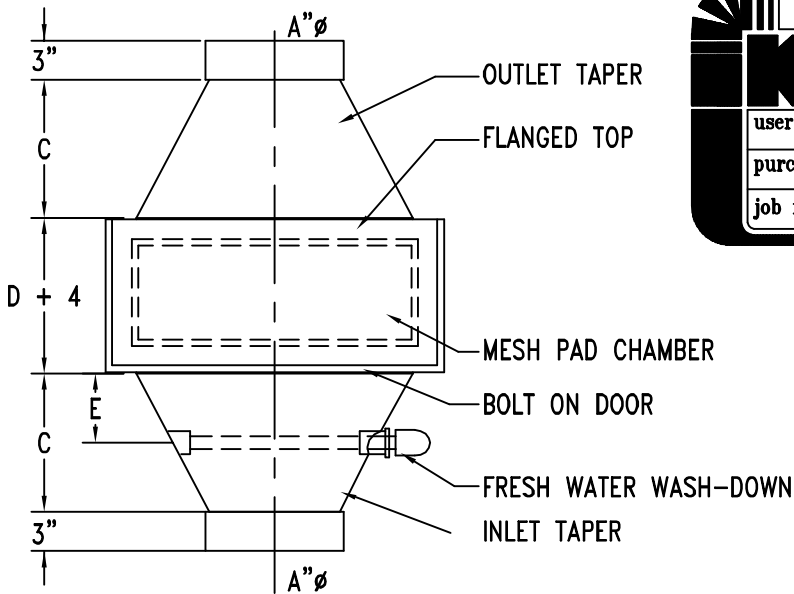
user:

purchaser:

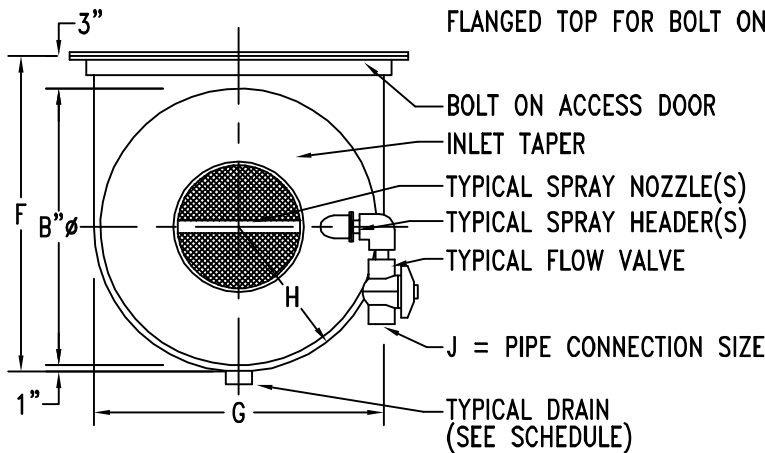
job number:

c.f.m.:

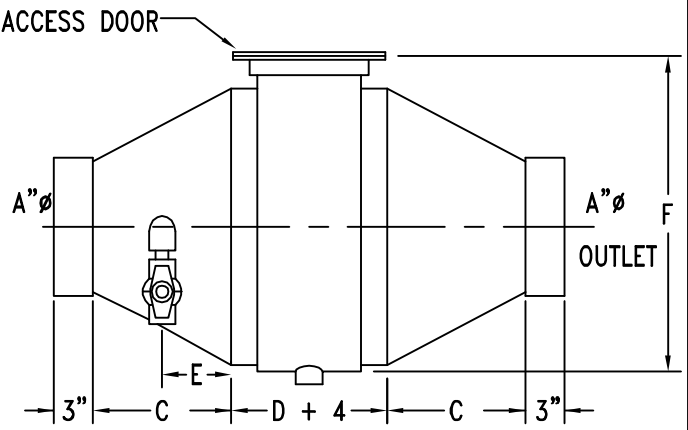
date:



TOP VIEW



FRONT VIEW



SIDE VIEW

ALL DIMENSIONS IN INCHES

NO. (SIZE)	A=DIAMETER	B=DIAMETER	C=TAPER	D=DEPTH	E=HEADER LOC.	F=HEIGHT	G=WIDTH	H=RADIUS	J=PIPE CONN.	NOZZLES REQ'D	HEADER SIZE	HEADER REQ'D	DRAIN DIA.	VELOCITY-FPM	PAD SIZE
6	6	14	6	6.75	4	18	16	8	.50	1	.50	1	2	600	15.625 W X 17.625 H (7.8125 RAD.)
8	8	18	9	6.75	5	22	20	10	.50	1	.50	1	2	600	19.625 W X 21.625 H (9.8125 RAD.)
10	10	23	12	6.75	7	27	25	12.5	.75	2	.75	1	2	600	24.625 W X 26.625 H (12.3125 RAD.)
12	12	28	12	6.75	7	32	30	15	.75	2	.75	1	2	600	29.625 W X 31.625 H (14.8125 RAD.)
14	14	32	18	6.75	7	36	34	17	.75	2	.75	1	2	600	33.625 W X 35.625 H (16.8125 RAD.)
16	16	37	18	6.75	7	41	39	19.5	1	2	.75	1	2	600	38.625 W X 40.625 H (19.3125 RAD.)
18	18	42	18	6.75	7	46	44	22	1	4	.75	2	2	600	43.625 W X 45.625 H (21.8125 RAD.)
20	20	46	18	6.75	7	50	48	24	1	4	.75	2	2	600	47.625 W X 49.625 H (23.8125 RAD.)
22	22	50	18	6.75	7	54	52	26	1	4	.75	2	2	600	51.625 W X 53.625 H (25.8125 RAD.)
24	24	54	18	6.75	7	58	56	28	1	6	.75	2	2	600	55.625 W X 57.625 H (27.8125 RAD.)