

TOP VIEW

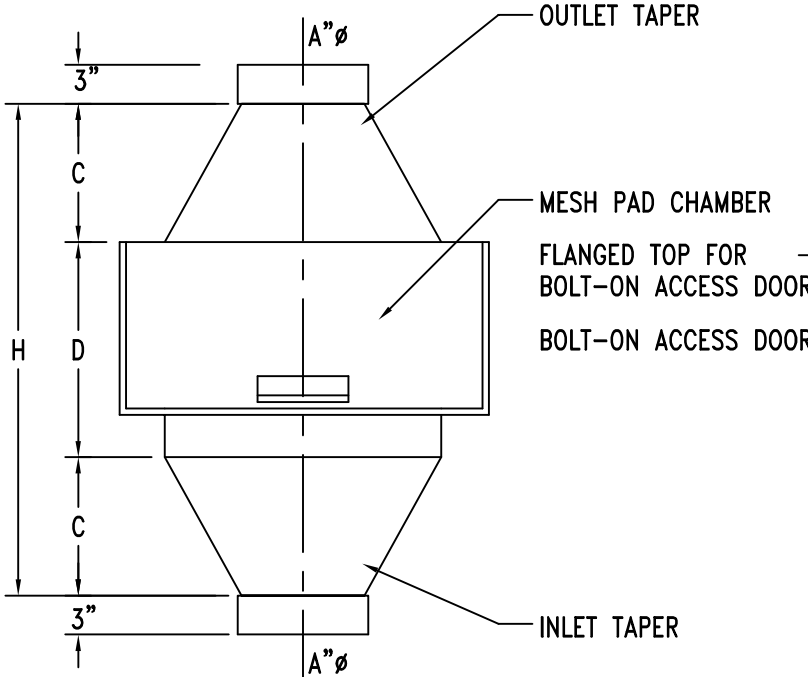
IN-LINE SERIES NO.:

KCH SERVICES, INC. VERTICAL MIST ELIMINATOR

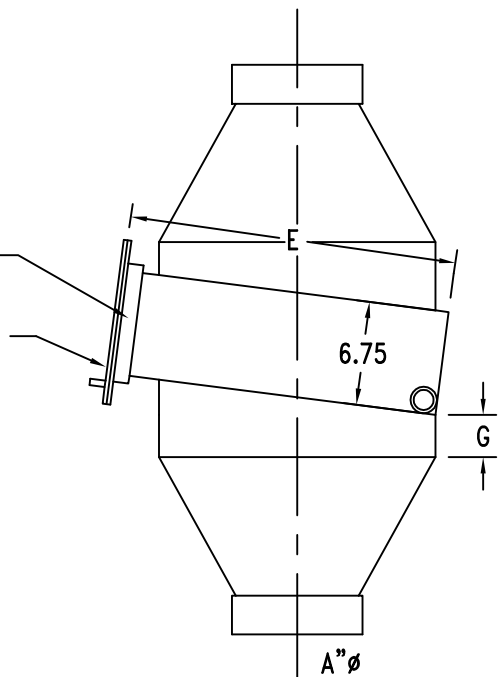
user: _____

purchaser: _____

job number: _____ date: _____



FRONT VIEW



SIDE VIEW

ALL DIMENSIONS IN INCHES

	NO. (SIZE)	A=DIAMETER	B=DIAMETER	C=TAPER	D=DEPTH	E=LENGTH	F=WIDTH	G=DISTANCE	H=HEIGHT	DRAIN DIA.	VELOCITY-FPM	PAD SIZE	REMARKS
	6	6	14	6	14	19.7	16	2.16	26	2	600	19.375 X 15.625	
	8	8	18	9	15	23.7	20	2.75	33	2	600	23.375 X 19.625	
	10	10	23	12	16	28.8	25	2.25	40	2	600	28.375 X 24.625	
	12	12	28	12	17	33.9	30	2.05	41	2	600	33.500 X 29.625	
	14	14	32	18	17	38.9	34	1.9	53	2	600	38.500 X 33.625	
	16	16	37	18	18	43.1	39	1.9	54	2	600	42.750 X 38.625	
	18	18	42	18	19	48.1	44	1.5	55	2	600	47.750 X 43.625	
	20	20	46	18	20	52.5	48	2.0	56	2	600	52.125 X 47.625	
	22	22	50	18	21	56.3	52	2.1	57	2	600	55.875 X 51.625	
	24	24	54	18	22	60.4	56	2.2	58	2	600	60.000 X 55.625	